

**Specification**

**DESIGN**

Body consists of two screwed parts

**CONNECTION**

Female thread 1/2" - 3" (DIN 2999)

**MOUNTING POSITION**

Barrel upside down, please refer to flow direction.

**MEDIA**

gases of fluid group 1": up to 1"  
 gases of fluid group 2": up to 2"  
 liquids of fluid group 1": up to 3"  
 liquids of fluid group 2": up to 3"  
 \*: fluid group acc. to Directive 97/23/EC

**PRESSURE RANGE**

max. 16 bar

**TEMPERATURE RANGE**

max. 180°C

**MESH**

Filter (Standard) 0,50 mm (G1/4" - G1")  
 0,75 mm (G1/4" - G3")  
 Filter (Fine) 0,25 mm

**MATERIAL**

Body: Brass  
 CuZn35Pb2Al-C acc. to 1982  
 Barrel: Brass  
 CuZn40Pb2 acc. to 12165  
 Mesh: Stainless steel 1.4301  
 Seat: PTFE

**OPTIONS**

Different mesh sizes on request.

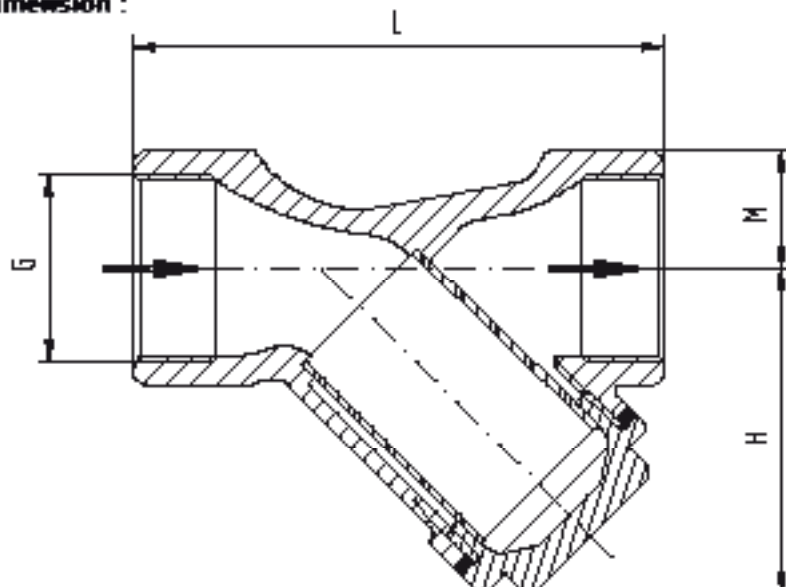
The above information is intended for guidance only and the company reserves the right to change any data herein without prior notice!

**Schmutzfänger BG**  
**PN 16**  
**Y-Strainer**

**Messing Brass**



Dimension :



G	1/4	1/2	3/4	1	1 1/4	1 1/2	2	2 1/2	3
L	65	65	75	90	110	120	150	180	210
H	38	38	46	54	67	81	97	110	127
M	14	14	16	21	27	29	38	43	50
kg	0,20	0,25	0,30	0,50	0,80	1,20	2,20	3,0	4,5