

Position switch BC-PSI 222

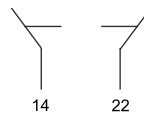
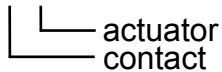
Description

Position switch Type BC-PSI 222 is characterised by a high robustness of the body (diecasting) and the actuator (stainless steel). Because of a huge assortment of actuators, plungers and contacts, the position switch can be utilised in almost any situation, e.g. a typical task is the control of assembly lines.

- Stainless steel actuators
- Switching with snap action and slow action for most precise switching
- Usable in an array of temperatures from -20°C up to +60°C
- Metrical insertion M20
- Standard: quick release contact 5 (1 NO + 1 NC)



Product key:
BC-PSI 222.*.**



Snap action 1 NO + 1 NC

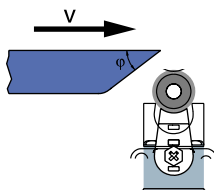
Specifications

Ambient temperature: -20°C to +60°C
Protection type: IP 67 (EN 60529)
Connections: Metrical M20
Design: DIN 50047

Materials Body: Diecasting
Actuators: Synthetics / stainless steel

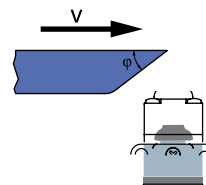
Mining: I M2 Ex ia I Mb
Chemistry: II 2G Ex ia IIC T6 Gb
Certificate: DMT 02 ATEX E 124

BC-PSI 222.*.31



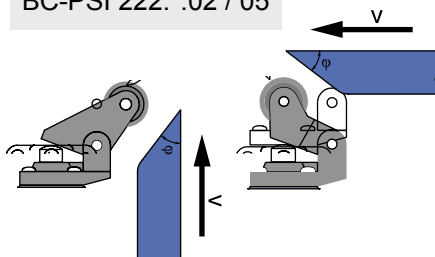
ϕ	Vmax (m/s)	Vmin (mm/s) [L]	Vmin (mm/s) [R]
15°	2,5	9	0,07
30°	1,5	8	
45°	1	7	
60°	0,75	7	

BC-PSI 222.*.15



ϕ	Vmax (m/s)	Vmin (mm/s) [L]	Vmin (mm/s) [R]
15°	1	4	0,04
30°	0,5	2	0,02
45°	0,3	1	0,01

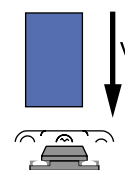
BC-PSI 222.*.02 / 05



ϕ	Vmax (m/s)	Vmin (mm/s) [L]	Vmin (mm/s) [R]
15°	1	5	0,05
30°	0,5	2,5	0,025
45°	0,3	1,5	0,015

[R] Snap action [L] slow action

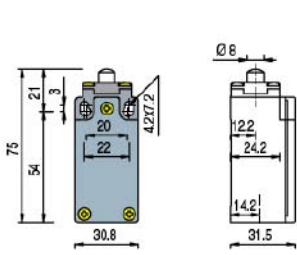
BC-PSI 222.*.31



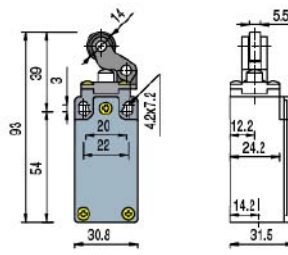
Vmax (m/s)	Vmin (mm/s) [L]	Vmin (mm/s) [R]
0,5	1	0,01

Actuators available for ATEX position switch BC-PSI 222 (samples)

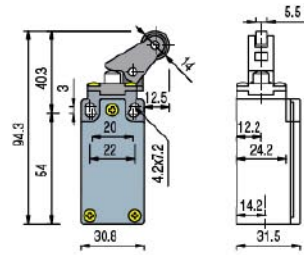
09.02.2011 subject to change without notice



BC-PSI 222.*.01

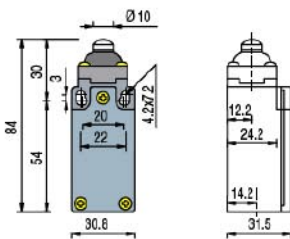


BC-PSI 222.*.02



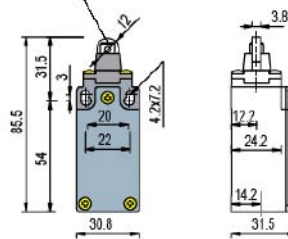
BC-PSI 222.*.05

Seal on outside

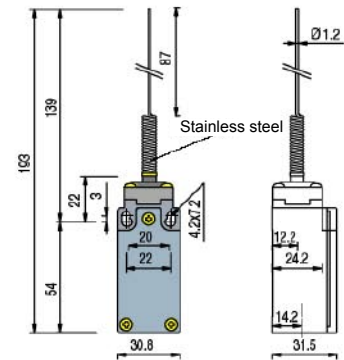


BC-PSI 222.*.08

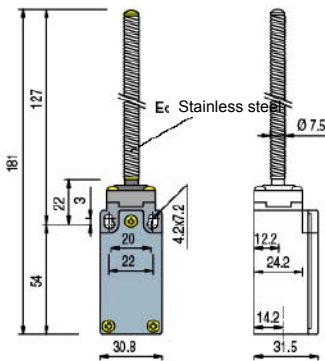
Stainless steel



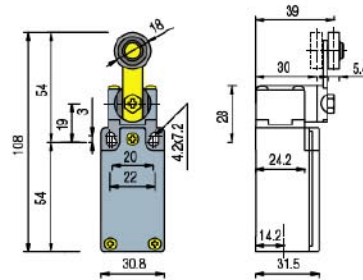
BC-PSI 222.*.15



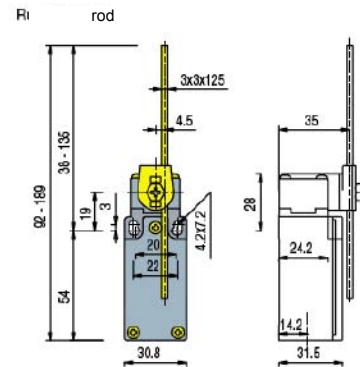
BC-PSI 222.*.21



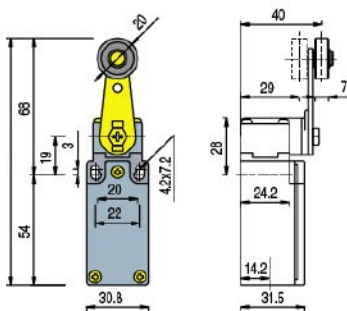
BC-PSI 222.*.25



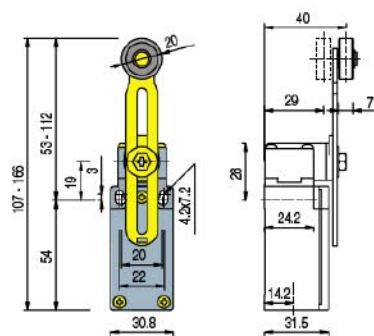
BC-PSI 222.*.31



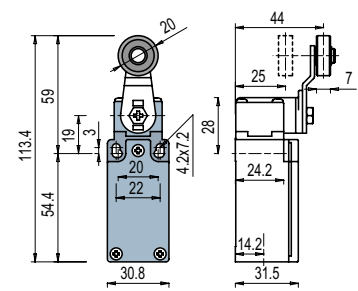
BC-PSI 222.*.33



BC-PSI 222.*.52



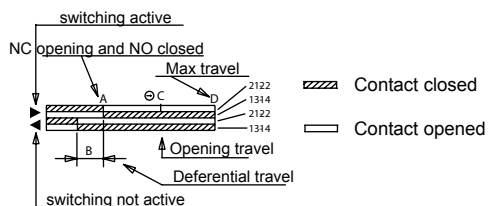
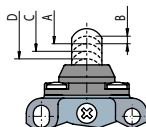
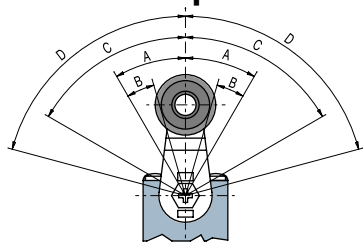
BC-PSI 222.*.55



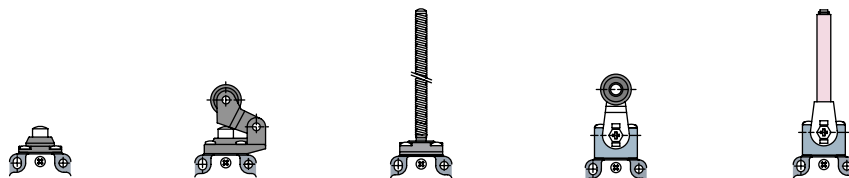
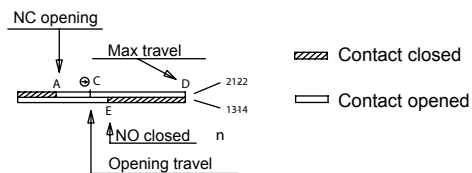
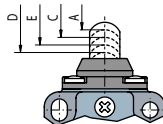
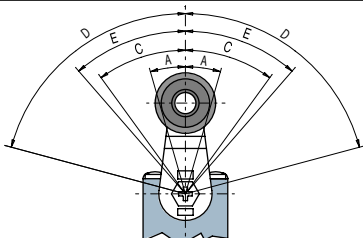
BC-PSI 222.*.54

Contactblocks for position switch BC-PSI 422

snap action



slow action



Contact block

5 1NO+1NC						
6 1NO+1NC						
7 1NO+1NC						
9 2NC						
10 2NO						
11 2NC						
12 2NO						
13 2NC						
14 2NC						
15 2NO						
16 2NC						
18 1NO+1NC						
20 1NO+2NC						
21 3NC						
22 2NO+1NC						
33 1NO+1NC						
34 2NC						