

DESIGN

Pressure gauge for applications with high dynamic pressure or vibrations. Fluid medium which does not clog connection port or corrode copper alloy.

CONNECTION: Pressure connection radial or axial
G 1/4 , 14 mm fl ats

DESIGN EN 837-1

NOMINAL SIZE 63

ACCURACY CLASS 1,6

SCALE RANGES

-1...0 bar up to 0...400 bar (axial connection)

-1...0 bar up to 0...600 bar (radial connection)

WORKING PRESSURE

Steady: 3/4 x of full scale value

Fluctuating: 2/3 x of full scale value

Short time: full scale value

AMBIENT TEMPERATURE: -20°C up to +60°C

MEDIUM TEMPERATURE: up to max. 60°C

TEMPERATURE EFFECT

When temperature of the pressure element deviates from reference temperature (+20°C): max. ± 0,4%/10K of true scale value.

INGRESS PROTECTION: IP 65 acc. to EN60529 / IEC529

LIQUID FILLING: Glycerine 99,5 %

*Anschluss axial mit 3-Lochfrontflansch/
connection axial with 3-hole flange*



MATERIALS

Body: stainless steel 1.4301

Inner parts: copper alloy

Pointer: aluminium black

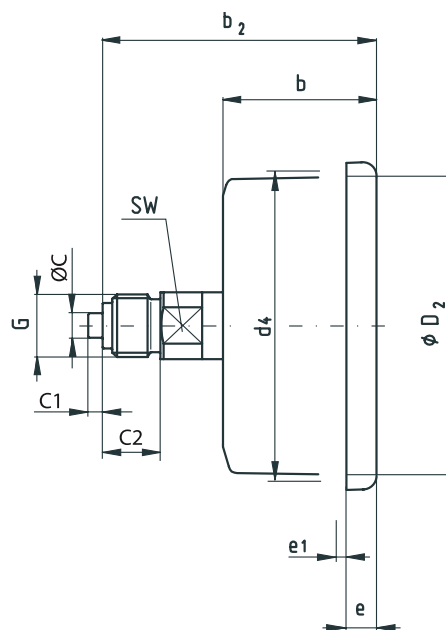
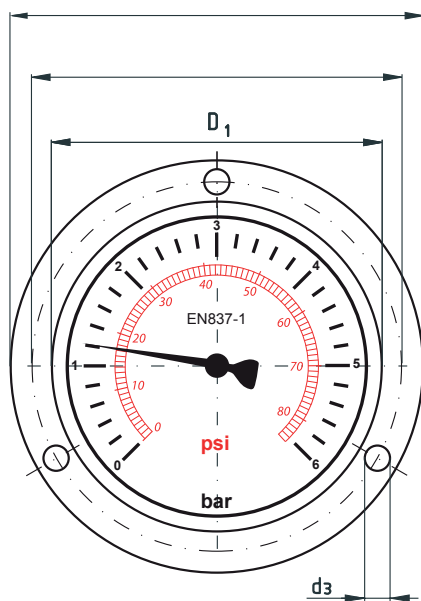
Window: plastic

OPTIONS

3-hole front-fl ange for additional mounting.

Hanger fastening for additional mounting.

The above information is intended for guidance only and the company reserves the right to change any data herein without prior notice!



NG	ØD1	ØD2	H	SW	b	e	e1	G	d1	d2	d3	d4	ØC	C1	C2	A	b2
	[mm]	[mm]	[mm]	[mm]	[mm]	[mm]	[mm]	["]	[mm]	[mm]	[mm]	[mm]	[mm]	[mm]	[mm]	[mm]	[mm]
63	68	63	53	14	30,5	7	2	1/4	75	85	3,6	64	5	2	13	9,5	53,5

Artikel- u. Bestellangaben / Ordering example: MO311021

= Rohfeder Manometer, Messbereich: 0...10 bar, Anschluss: radial 1/4"
 bordon tube pressure gauge, pressure range: 0...10 bar, connection: radial 1/4"

1. - 4. Stelle / Digit
Produkt Product

MO31 =
Rohrfeder-
Chemieanometer
Chemie bourdon tube
pressure gauge

01 = -1...0 bar
02 = -1...1,5 bar
03 = -1...5 bar
04 = 0...0,6 bar
05 = 0...1 bar
06 = 0...1,6 bar
07 = 0...2,5 bar

5. + 6. Stelle / Digit
Messbereich Pressure range

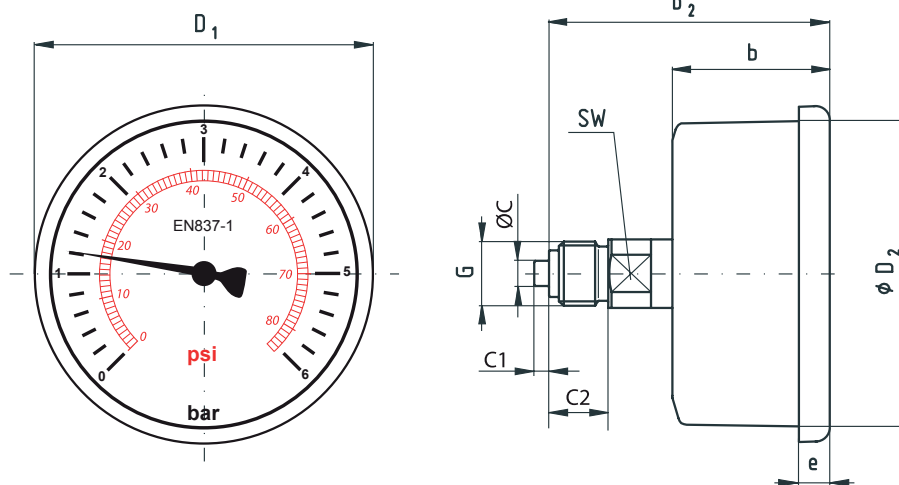
08 = 0...4 bar
09 = 0...6 bar
10 = 0...10 bar
11 = 0...16 bar
12 = 0...25 bar
13 = 0...40 bar
14 = 0...60 bar

7. + 8. Stelle / Digit
Anschluss Connection

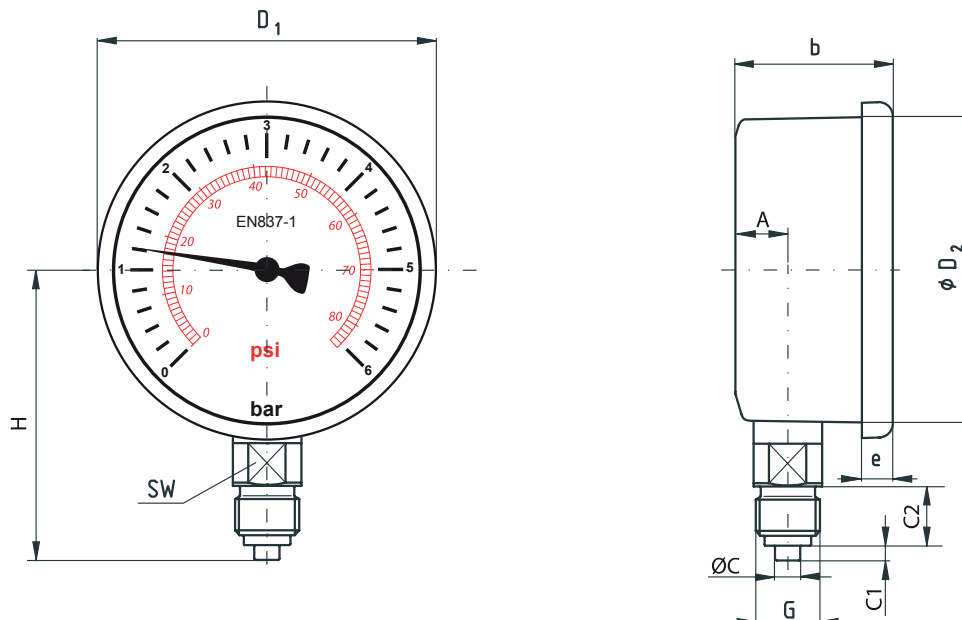
21 = radial 1/4"
31 = axial 1/4"

Abmessungen / Dimensions:

**Anschluss axial/
connection axial**



**Anschluss radial/
connection radial**



NG	ØD1	ØD2	H	SW	b	e	G	ØC	C1	C2	A	b2
	[mm]	[mm]	[mm]	[mm]	[mm]	[mm]	["]	[mm]	[mm]	[mm]	[mm]	[mm]
63	68	63	53	14	30,5	7	1/4	5	2	13	9,5	53,5