

BC-SF-GS Strainer

Stainless steel

Specification

DESIGN: Strainer made of stainless steel.
Body consists of two screwed parts.

CONNECTION

Rp1/4" ... Rp3" acc. to DIN2999

MOUNTING POSITION:

As desired, preferably for horizontal or vertical mounting.
Please refer to flow direction.

NOMINAL PRESSURE: PN40

TEMPERATURE RANGE: -20°C ... +180°C

MATERIAL:

Body: Stainless steel 1.4408

Mesh: Stainless steel 1.4401

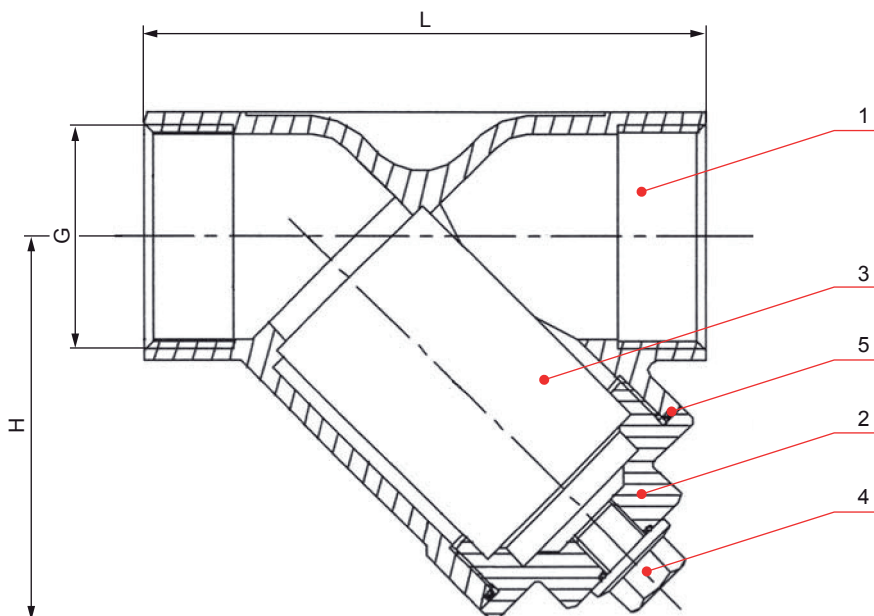
Sealing: PTFE

MESH

Standard screen: 0,60mm

Fine screen: 0,25mm

The above information is intended for guidance only and the company reserves the right to change any data herein without prior notice!



Pos.	Description	Material
1	Body	Stainless steel 1.4408
2	Cap	Stainless steel 1.4408
3	Screen	Stainless steel 1.4401
4	Plug	Stainless steel
5	Seal	PTFE

G	1/4"	3/8"	1/2"	3/4"	1"	1 1/4"	1 1/2"	2"	2 1/2"	3"
L	56	56	65	5	90	110	120	140	190	204
H	38	42	45	52	66	70	80	96	125	145
kg	0,25	0,25	0,26	0,38	0,68	0,88	1,36	2,5	4,85	7,3