

3/2-way solenoid valve BC-310

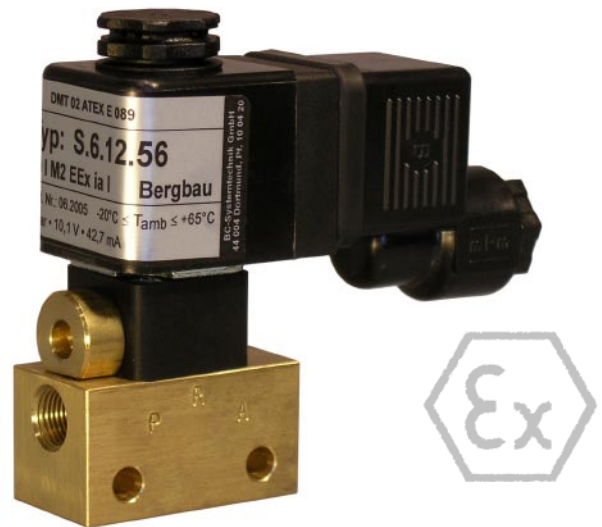
Threaded

Description

In rest position P to A is closed and A to R opened. (NC). When energised, the solenoid lifts the seal off the seat (orifice). The valve operates from 2 to the maximum defined switching pressure. The switching is executed by spring-power.

Features

- Small, compact design
- With mounting for larger series
- 2 - 10 bar switching
- Manual operation (non-locking) (protected against accidental operation)
- Optional with straight plug
- Pressure range can be factory-set individually



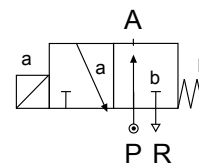
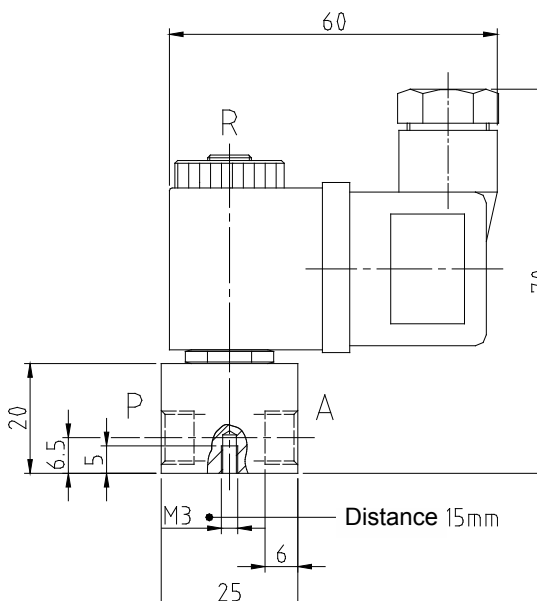
Technical data

Type: direct acting solenoid valve
 Connection: G 1/8
 Nominal width: DN 1 - 2 (Standard DN 1,3)
 Operating pressure: 2 to 10 bar
 Flow-direction: defined
 Media: neutral, aggr. liquids and gases
 Mediatemperature: -25°C to +65°C
 Ambient temperature: max. +50°C (-20°C to +40°C Chemistry)
 Valvehousing: Brass, VA (Stainless Steel)
 Metall. inner parts: Steel 1.4104, Brass
 Seal: NBR (Perbunan), FKM EPDM
 Installation: in any position, solenoid up pref.

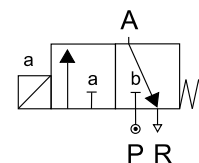
Supply voltage: intrinsically safe: 12 V, 24 V DC
 Protection type: IP 65
 Electric connector: Plug DIN EN 175301-803, Connecting housing, Wire

Mining: Ⓢ I M2 Ex ia I Mb
Chemistry: Ⓢ II 2G Ex ia IIC T6 Gb
Certificate: DMT 02 ATEX E 089

Chemistry: Ⓢ II 2G EEx m II T4
Dust: Ⓢ II 2D IP65 T130°C
Certificate: PTB 04 ATEX 2043 X



Function: In rest position P opened



Function: In rest position P closed