

3/2-Ways Solenoid Valve BC-75

Description

Non energized port P-A closed and A-R open-NC. The electromagnetic force produced in the coil lifts the seal from the orifice. This type of valve does not rely on a pressure drop. Non energised closed by spring power. In- and outlet are integrated in the valve housing.



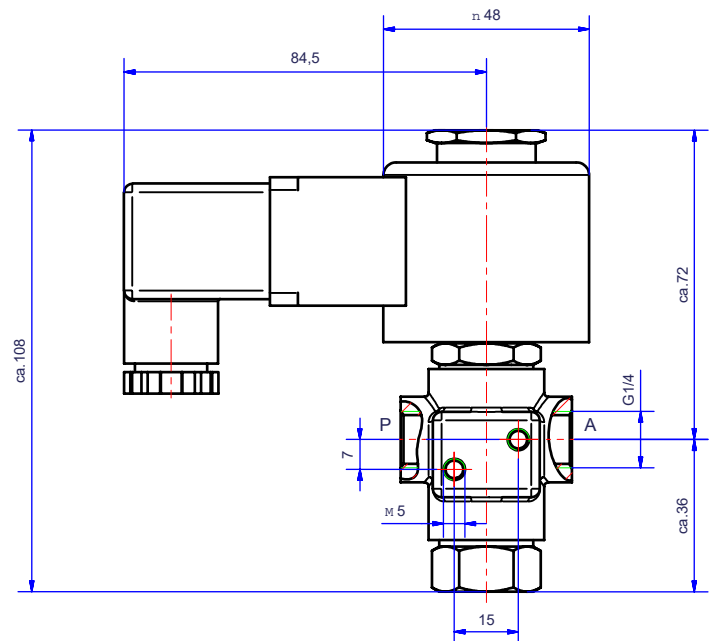
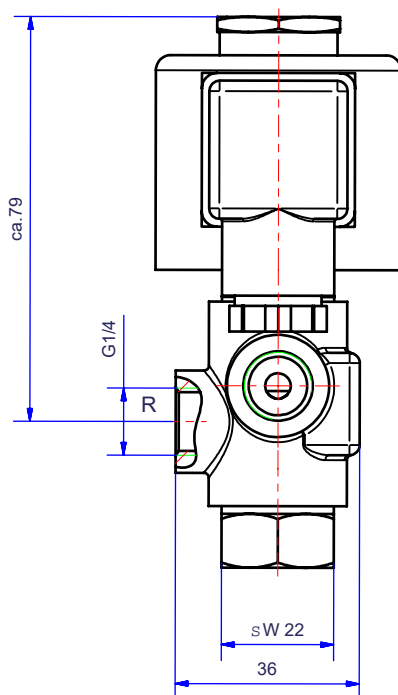
G	seat ømm	flow rate m³/h	standard- type	max pressure solenoid type / option		
				NC AC/DC	NO AC/DC	UN
1/4"	1,0	0,06	BC-7540	1-16	1-16	1-8
1/4"	1,5	0,09	BC-7541	1-16	1-16	1-8

Technische Daten

Type of control: Direct acting
 Construction: Poppet design
 Connection: G 1/4, DIN ISO 228
 Nominal diameter: DN 1-5
 Betriebsdruck: 0 to 40 bar (see table)
 Media: neutral, gaseous and liquid media
 Medium Temperature: -10°C up to +80°C
 Ambient Temperature: max. +35°C
 Body Materials: Brass / Stainless Steel
 Metallic internals: Brass and Stainless Steel 1.4301
 Seal: FKM

Viscosity: 22 mm³/s
 installation: in any position
 supply voltage: intrinsically safe: 12, 24 V DC
 enclosed: 24, 42, 240 V AC
 protection class: IP 65
 Electric Connection: Plug acc. DIN EN 175301-803,

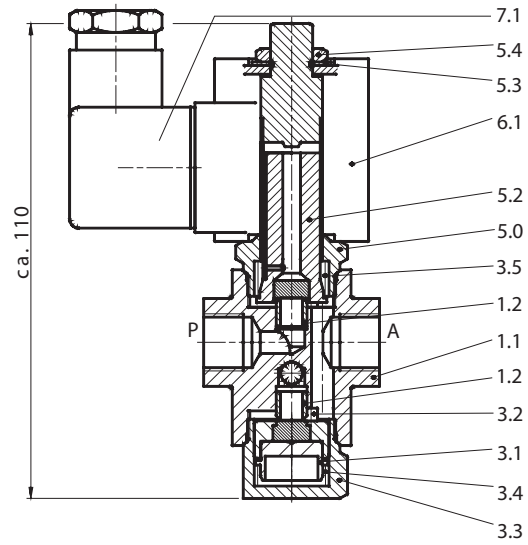
Mining: I M2 Ex ia I Mb
Chemistry: II 2G Ex ia IIC T4 Gb
Certificate: DMT 02 ATEX E 089



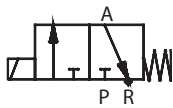
Stückliste-Parts list

- K1.1 Armatur / Valve body
- K1.2 Sitzdüse / Seat nozzle
- *K3.1 Ventilteller / Valve plate
- K3.2 Ventilstift / Valve bolt
- K3.3 Verschraubung / Screw joint
- *K3.4 Feder / Spring
- *K3.5 Feder / Spring
- *K5.0 Magnethülse / Solenoid tube
- *K5.2 Magnetanker / Solenoid plunger
- K5.3 Welle / Mandril disk
- K5.4 Mutter / Nut
- K6.1 Magnetspule / Solenoid
- K7.1 Geräterestecker / Plug

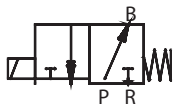
*= Bestandteil des Ersatzteilpäckchens.
(je nach Ausführung freibleibend).
*= Parts of the service-set. (These specifications are without obligation).



Funktion



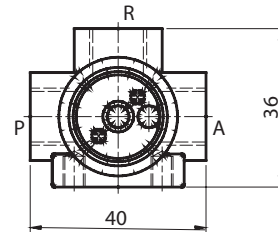
NC



NO

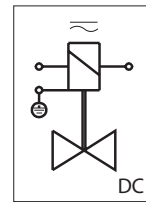


Universal UN

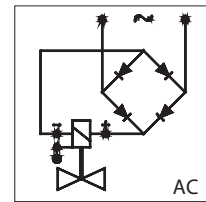


overview

connection plan



for DC



with integrated rectifier
for alternating current
AC

Optional extras

free of oil and grease = OF for oxygen applications

NPT connection

manual override to push = HA

further connections: UN universal function (each connection can be used as P)