

### 3/2-way solenoid valve BC-72

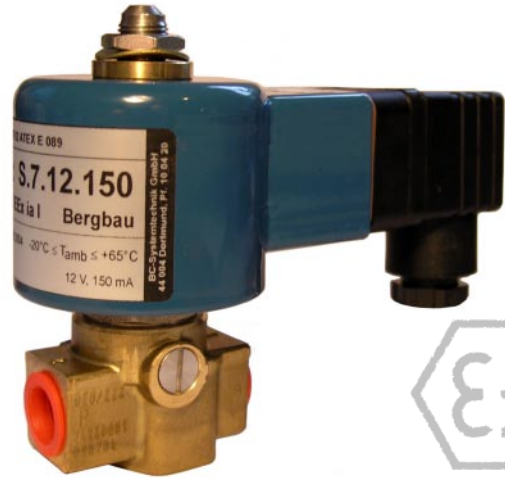
#### Description

For neutral, gaseous and liquid media, elektromagnetically operated.

Valve non-energized closed by spring power - NC. When energised, the solenoid lifts the seal off the seat (orifice). A pressure differential ( $\Delta p$ ) is not required for the operation.

#### Features

- Manual operation optional



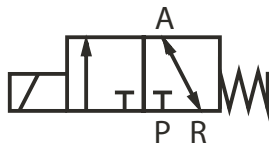
#### Technical data

Type: direct acting piston  
 Connection: G 1/4 inside  
 Nominal width: DN 1,5  
 Pressure: 2 to 6 bar  
 Flow-direction: defined  
 Media: neutral, gaseous, liquid media  
 Mediatemperature: -20°C to +65°C  
 Ambient temperature: max. +50°C  
 Valvehousing: Brass  
 Metall. inner parts: Steel 1.4104, Brass  
 Seal: NBR (Perbunan)  
 Viscosity: 22 mm<sup>2</sup>/s  
 Installation: in any position, solenoid up pref.

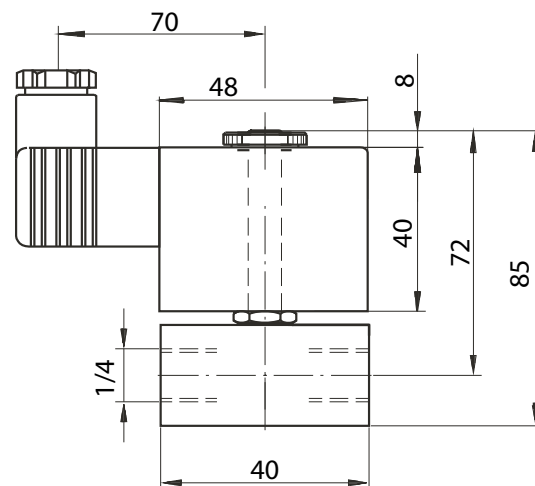
Supply voltage: intrinsically safe: 12, 24 V DC  
 compound seal: 24, 42, 240 V AC  
 Protection type: IP 65  
 Electric connection: Plug DIN EN 175301-803,  
 Connecting housing, Wire

**Mining:** I M2 Ex ia I Mb  
**Chemistry:** II 2G Ex ia IIC T4 Gb  
**Certificate:** DMT 02 ATEX E 089

**Mining:** I M2 Ex m I Mb  
**Chemistry:** II 2G Ex m IIC T4 Gb  
**Certificate:** DMT 01 ATEX E 163 X



Normally closed - NC



#### Technical parameters:

DN	Connection (DIN 259)	Operating pressure [bar]		kv - value (Basis m <sup>3</sup> /h)	total weight [kg]	manual operation	Type - Nr.	
		min.	max.				DSK-Nr.	Valve:
1,5	G 1/4	2	6	0,09	0,7	-		BC-7.72.150
1,5	G 1/4	2	6	0,09	0,7	locking		BC-7.72.150 HA