

2/2 way solenoid valve - BC-40

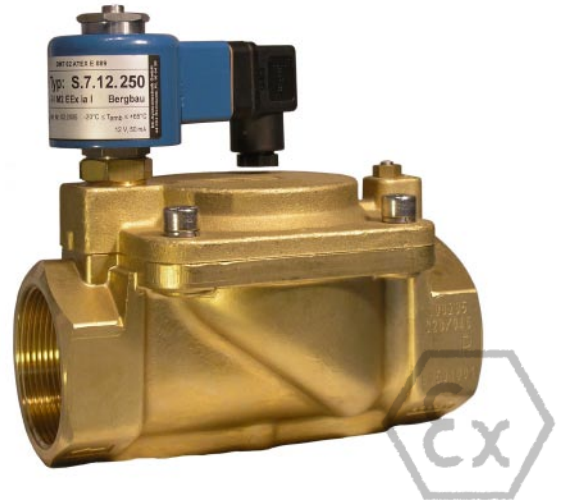
Description

Valve normally closed - NC.

When energised, the pressure decomposes on the secondary side of the diaphragm via the pilot hole. The pressure differential lifts the diaphragm from the seat.

The stated minimum pressure is always necessary as pressure differential for accurate operation.

- Manual operation available on request (HA)
- Please use this valve in combination with a BC-Strainer (0,4 µ).
- optional as low energy valve



Specifications

Construction: Pilot operated solenoid valve diaphragm design
Connection: G 1/4 - G 2, DIN ISO 228
Nominal diameter: DN 13 - 50
Pressure: 1,5 up to 20 bar (see table)

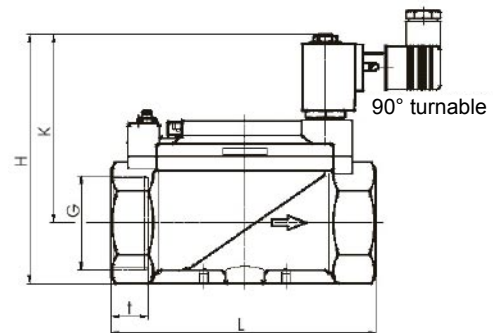
Media: Neutral, gaseous and liquid media
Medium temperature: -10°C to +65°C
Ambient temperature: +35°C
Body materials: Brass, stainless steel
Metallic internals: Brass, stainless steel 1.4104
Seal: NBR
Installation: Actuator in any pos. - pref. upright

Supply Voltage: Intrinsically safe: 12, 24 V DC
 Enclosed: 24, 42, 240 V AC
Protection Class: IP 65 acc. DIN 40050
Cable connection: DIN 43650-plug, Terminal box, cable

Mining: I M2 Ex ia I Mb
Chemistry: II 2G Ex ia IIC T6 Gb
Certificate: DMT 02 ATEX E 089

Mining: I M2 Ex mb I Mb
Chemistry: II 2G Ex mb IIC T4 Gb
Certificate: DMT 01 ATEX E 163 X

G	A	H	K	L	SW	t
1/2	V.45x45	105	90	67	27	12
3/4-1	V.70x70	121	97	95	41	16
5/4-6/4	V.96x96	143	110	140	58	22
2	V.112x112	161	121	168	70	25



DN	Size of screw thread (ISO 228)	Pressure: gaseous and liquid media 22mm ² /s [bar]		Kv-value (Base m ³ /h)	Weight [kg]	Order - No.	
		min.	max.			DSK-No.	Valve
13	G 1/2	1,5	20	3,8	1,2		BC-0960820
20	G 3/4	1,5	20	11,0	1,6		BC-0960821
25	G 1	1,5	20	13,0	2,0		BC-0960822
32	G 1 1/4	1,5	16	30,0	2,9		BC-0960823
40	G 1 1/2	1,5	16	32,0	3,9		BC-0960824
50	G 2	1,5	12	45,0	4,9		BC-0960825